


Manuals+

User Manuals Simplified.



EPROPULSION EB-DP00-00 E Battery External Display Panel User Manual

January 17, 2022 January 19, 2022

[Home](#) » [EPROPULSION](#) » EPROPULSION EB-DP00-00 E Battery External Display Panel User Manual 



E Battery External Display Panel User Manual

Contents | [hide](#)

- [1 Introduction](#)
- [2 Button Description](#)
- [3 Specification](#)
- [4 Documents / Resources](#)
 - [4.1 Related Manuals / Resources](#)

Introduction

E Battery External Display Panel is used to connect with E-Series Battery to show the information of the battery.

Button Description

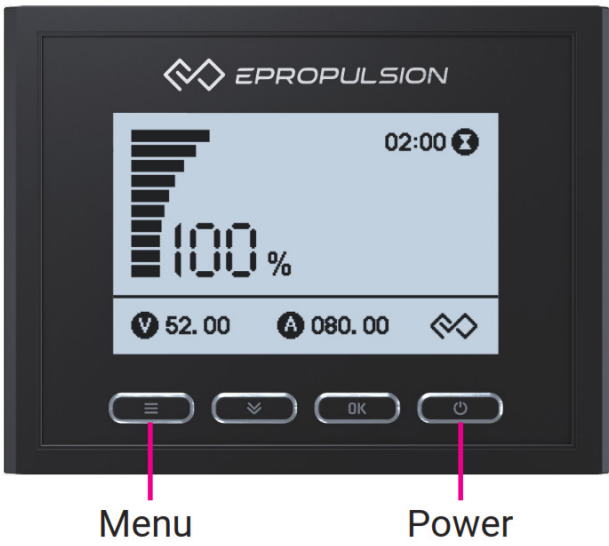
Power button

1. When the display panel is turned off, press and hold the power button to power on the display panel.
2. When the display panel is turned on, press and hold the power button to power off the display panel.
3. When the display panel is turned on, press the power button to switch on or off the backlight.

Confirm button Invalid.

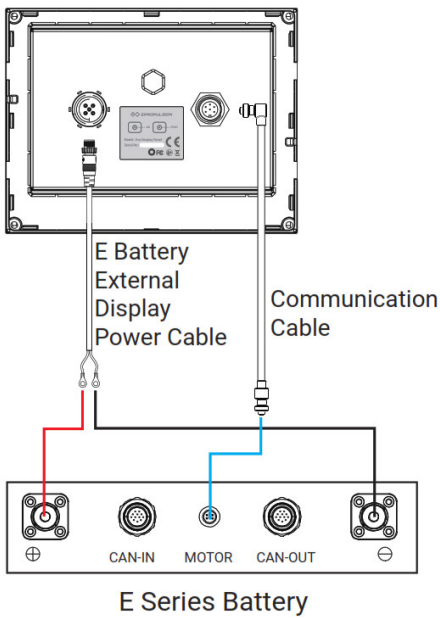
Select button Invalid.

Menu button Press the menu button to switch between the main page and another information page.

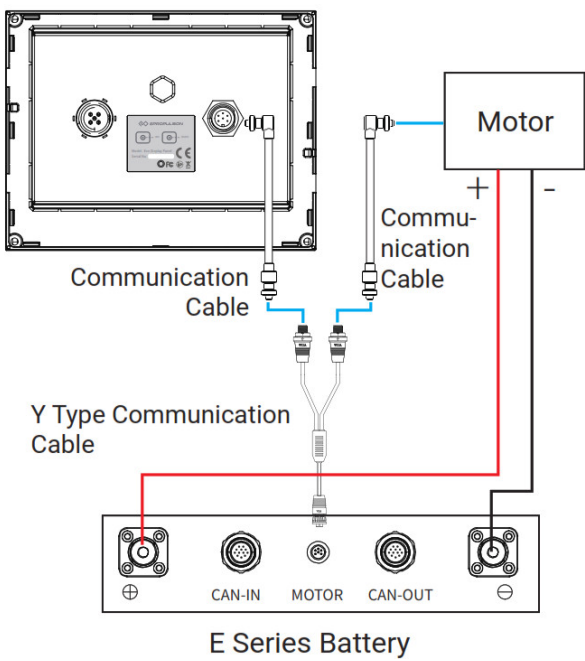


Connect with battery

1. Connect with battery



2. Connect with battery and motor

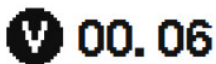


Figure



Battery level

Indicating battery level.



Battery voltage

Battery voltage, unit: V



Battery current

Battery current, unit: A. A positive number indicates the charging current and a negative number indicates the discharge current.



Battery remaining time

Battery remaining time. Displaying NA means that the data is invalid.

Equipment offline.

Equipment offline

The communication between the battery and the display panel is failed.



Battery error

Hidden: No error
Blink: Error occurs



Battery charging indicator

Hidden: Not charged
Shown constant: Charging



Battery max output power

Battery current max output power



Battery Undervoltage protection value

Battery current Undervoltage protection value



Battery highest temperature

Battery current highest temperature



Battery lowest temperature

Battery current lowest temperature

Battery error code

Low battery level

Specification

Size	138.5 x 106.9 x 42.5 mm
Display panel	4.3"
Image resolution	256x160
Power supply	5V / 48V

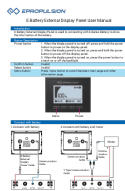
In the box

Evo Display Panel	1 Set	Fixing guide	1 Piece
User manual	1 Piece	Communication cable 5m	1 Piece
Y type communication cable 0.3m	1 Piece	E battery external display power cable 5m	1 Piece

Warranty

ePropulsion E Battery External Display Panel is guaranteed against any manufacturing defects for TWO years (uncommercial) from the date of purchase.

Documents / Resources



[EPROPULSION EB-DP00-00 E Battery External Display Panel](#) [pdf] User Manual
EB-DP00-00, E Battery External Display Panel, EB-DP00-00 E Battery External Display Panel, Display Panel

Related Manuals / Resources



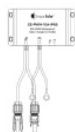
[imperii External Battery Quick Charger 2.0 Instruction Manual](#)

imperii External Battery Quick Charger 2.0 Instruction Manual General information about the product Port of entry The interface...



[SAMSUNG Wireless Battery Pack EB-U3300 User Guide](#)

SAMSUNG Wireless Battery Pack EB-U3300 WIRELESS BATTERY PACK Copyright © 2020 Samsung Electronics () Connect one end of...



[Grape Solar GS-PWM-10A-IP68 Waterproof IP68 Solar Panel Battery Charge Controller User Manual](#)

Grape Solar GS-PWM-10A-IP68 Waterproof IP68 Solar Panel Battery Charge Controller ■ IP68 level waterproof ■ PWM 3-stage charge...



[Epson Multimedia Projector User Manual \[VS260, E8-992F, EB-W51, EB-FH06, EB-982W, EB-X51, EB-W06, EB-972, EB-E10, EB-X06, EB-118, EB-E20, EB-E01, EB-W49, EB-FH52, EB-X500, EB-X49, EB-W52\]](#)

Epson Multimedia Projector User Manual [VS260, E8-992F, EB-W51, EB-FH06, EB-982W, EB-X51, EB-W06, EB-972, EB-E10, EB-X06, EB-118, EB-E20, EB-E01,...

[Manuals+](#)

- [home](#)
- [privacy](#)